

BUMPER STANDARD

GreenGuard™ 8



A bumper that's tough, attractive & environmentally friendly!

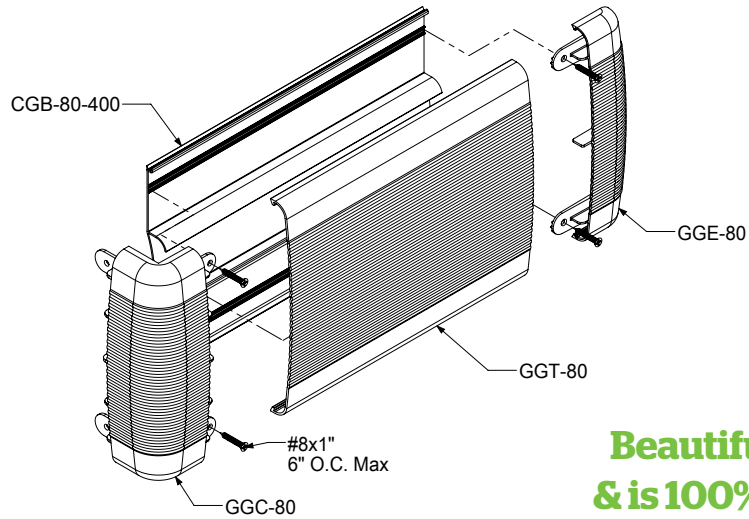
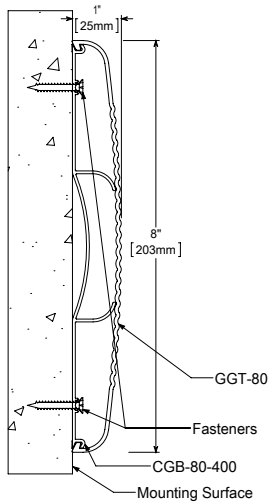
GreenGuard is McCue's protective bumper that provides improved performance, delivers simply beautiful aesthetics and is 100% recyclable. Our widest, flat bumper profile is designed for maximum wall protection and styled with ribs to resist scratching.

Strong Rigid polycarbonate exceeds the impact performance of high impact PVC by 29% and ABS by 63%

Speedy Install All parts snap together for easy installation and guaranteed alignment

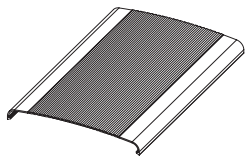
Innovative A series of ribs run down the middle of the profile giving it dimension, while hiding abrasions





**Beautiful aesthetics
& is 100% recyclable!**

Components:

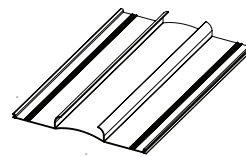


Rigid GreenGuard™ 8" Top

GGT-80-COLOR

Sold in 12' lengths

Packed: 10 per box (120' total)

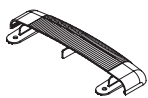


8" Mounting Base (PVC)

CGB-80-400

Sold in 12' lengths

Packed: 10 per box (120' total)

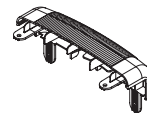


8" Snap-on End Cap

GGE-80-COLOR

Packed: 60 per box

Minimum quantity and lead times
may apply



8" Snap-on 90° Corner

GGC-80-COLOR

Packed: 40 per box

Minimum quantity & lead times
may apply



Color Standard



Custom Color Matching
U.S. Patent Number: D501810