

GreenGuard™ 3



Bold protection without sacrificing aesthetics.

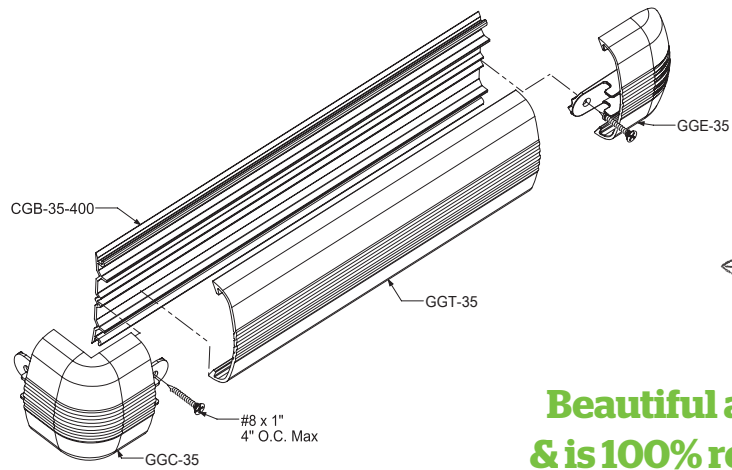
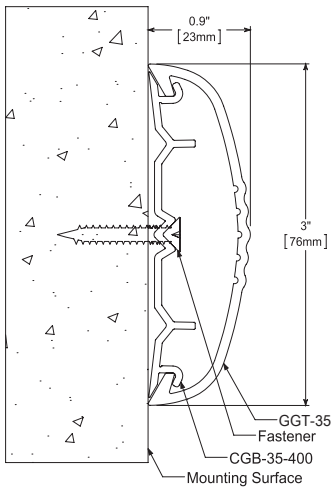
GreenGuard is McCue's protective bumper that provides improved impact performance, delivers beautiful aesthetics and is 100% recyclable. GreenGuard 3 provides superior protection with a striking, ribbed aesthetic to hide scratches.

Strong Rigid polycarbonate exceeds the impact performance of high impact PVC by 29% and ABS by 63%

Speedy Install All parts snap together for easy installation and guaranteed alignment

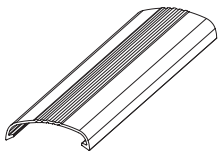
Recyclable Polycarbonate is chlorine free, 100% recyclable and better for the environment than PVC





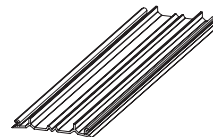
**Beautiful aesthetics
& is 100% recyclable!**

Components:



Rigid GreenGuard™ 3" Top

GGT-35-COLOR
Sold in 12' lengths
Packed: 12 per box (144' total)



3" Mounting Base (PVC)

CGB-35-400
Sold in 12' lengths
Packed: 12 per box (144' total)



3" Snap-on End Cap

GGE-35-COLOR
Packed: 50 per box



3" Snap-on 90° Corner

GGC-35-COLOR
Packed: 25 per box

* 3" Snap-on Custom Corners Available. Metal-reinforced corners made to order for fixture angles between 95°–175°.



Color Standard



Custom Color Matching
U.S. Patent Number: D501810